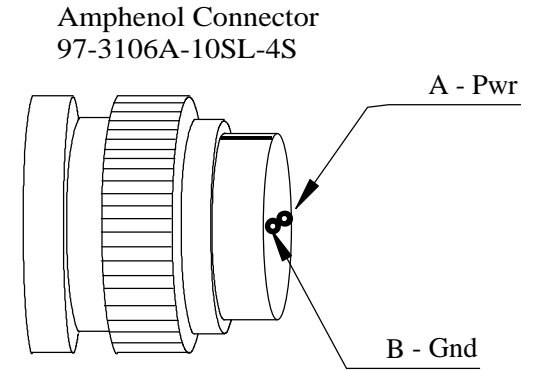
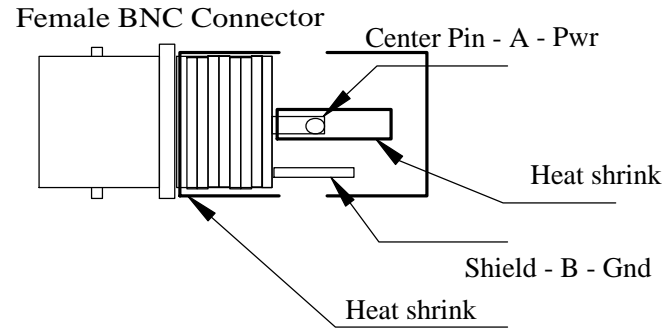
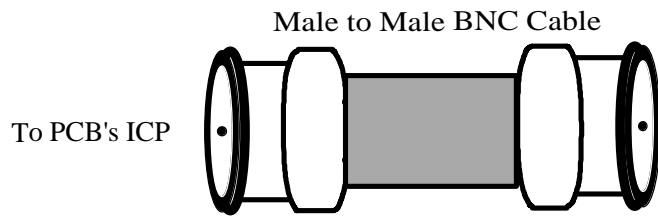




Rictor Adapter Cable



The shield of the cable should be connected to the external shield of Amphenol connector, but not to the BNC. Typically the shield is connected to one of the screws on the strain relief.

Note:
 9502 Belden cable
 Has two twisted pair, use one twisted pair for connections from A to center pin and B to BNC shield.

TITLE			
Rictor Accelerometer cable (ICP to Accel. adapter)			
SIZE	CAGE CODE	DWG NO	REV
B		SIG-A-RICTOR-CB	2.0
SCALE	SHEET		1/1