

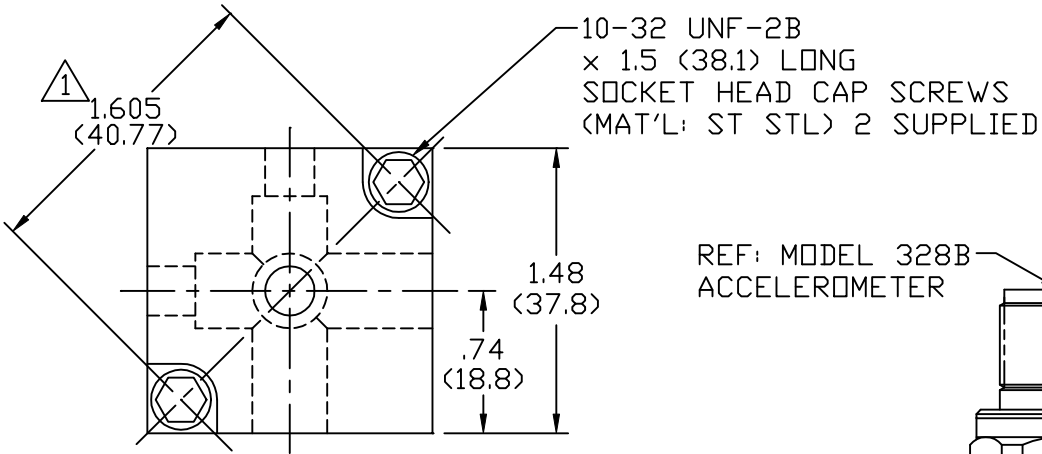
080-1570-90

APPLICATION

NEXT ASS'Y	USED ON	VAR

REVISIONS

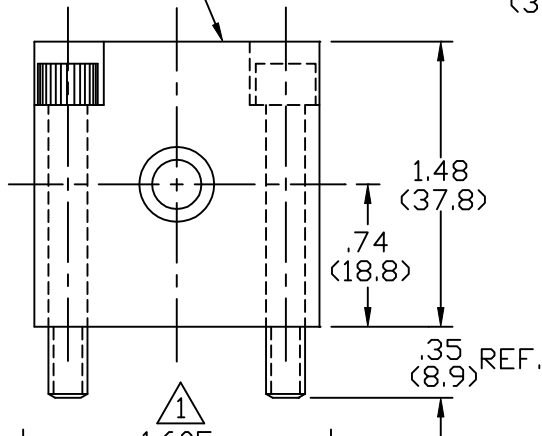
REV	DESCRIPTION	ECN	DATE	APP'D
A	REVISED PER ECR	3568	2/14/91	



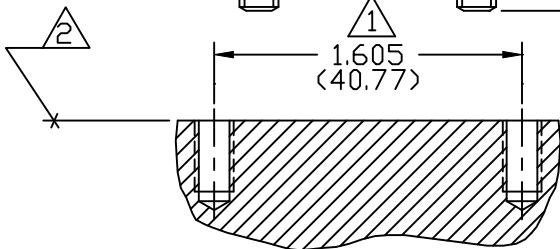
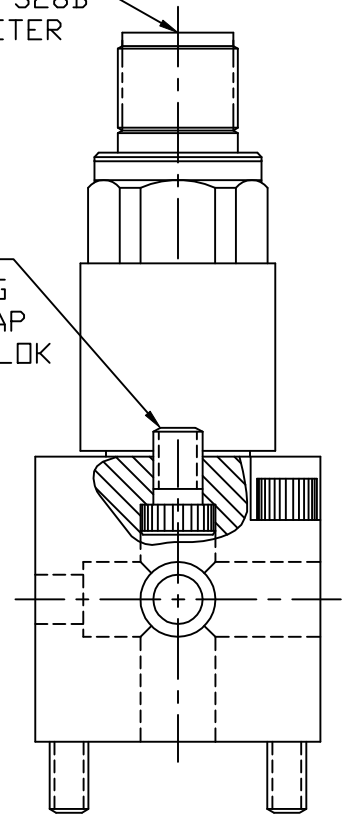
10-32 UNF-2B
x 1.5 (38.1) LONG
SOCKET HEAD CAP SCREWS
(MAT'L: ST STL) 2 SUPPLIED

REF: MODEL 328B
ACCELEROMETER

MODEL 080A57
TRIAxIAL CUBE
MAT'L: 303 ST STL



1/4-28 UNF-2B
x .38 (9.7) LONG
SOCKET HEAD CAP
SCREW WITH NYLOK
INSERT
(3 SUPPLIED)



MOUNTING HOLE PREPARATION:

DRILL #21 ϕ .159 (ϕ 4.04)
x .42 (10.6) ∇ MIN
TAP 10-32 UNF-2B \triangle 3
x .37 (9.4) ∇ MIN
TYP 2 PLACES AS SHOWN

NOTES:

- \triangle 1 DIAGONAL MOUNTING DIMENSION BETWEEN MOUNTING HOLES.
- \triangle 2 SURFACE TO BE FLAT TO WITHIN .001 (.03) TIR OVER A ϕ 2.23 (56.6) WITH AT LEAST A $63\sqrt{1.6}$ FINISH.
- \triangle 3 DRILL PERPENDICULAR TO MOUNTING SURFACE TO WITHIN $\pm 1^\circ$

UNLESS SPECIFIED TOLERANCES

DIMENSIONS IN INCHES	DIMENSIONS IN MILLIMETERS (IN PARENTHESIS)
DECIMALS XX \pm .01 XXX \pm .005	DECIMALS X \pm 0.3 XX \pm 0.13
ANGLES \pm 2 DEGREES	ANGLES \pm 2 DEGREES

FILLETS AND RADII .003 - .005 (0.07 - 0.13)

DRAWN		MFG	
CHK'D		ENGR	
APP'D			

TITLE
INSTALLATION DRAWING
MODEL 080A57
TRIAxIAL CUBE

PCB PIEZOTRONICS, INC.
3425 WALDEN AVE. DEPEW, NEW YORK 14043
PHONE: (716) 684-0001

CODE IDENT. NO. 52681
DWG. NO. 080-1570-90

SCALE: FULL SHEET 1 OF 1